

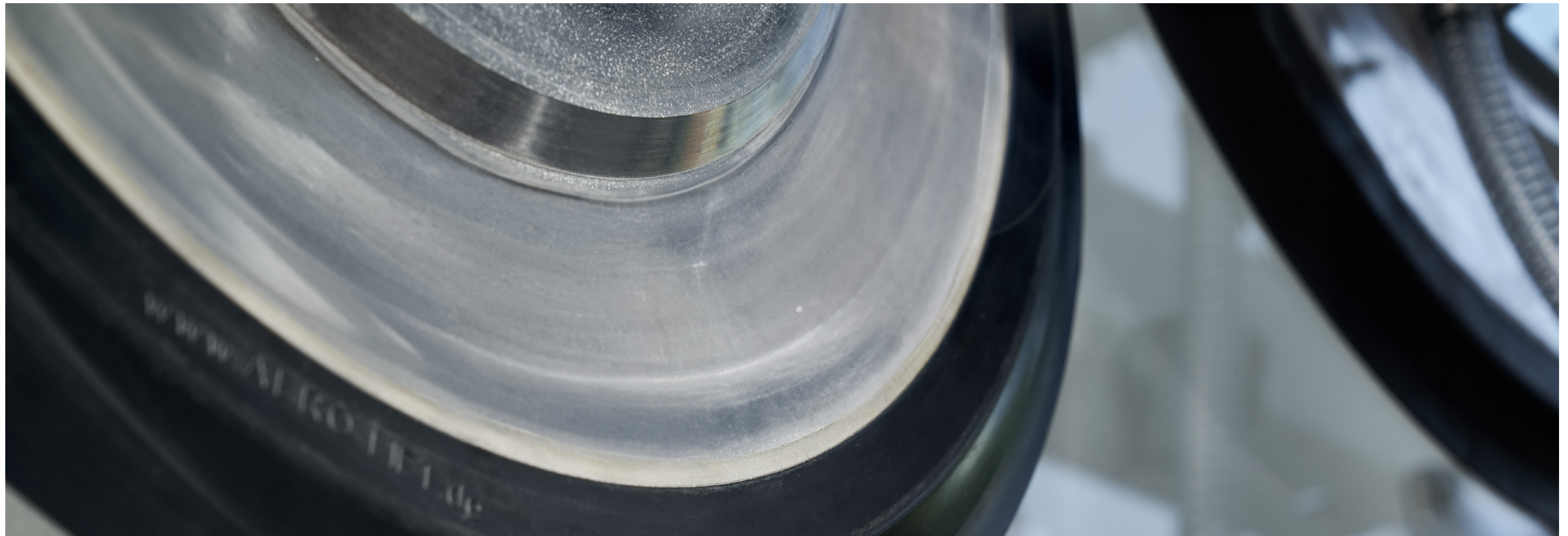
moving limits

**AERO**<sup>®</sup>  
**LIFT**



# LIFTING DEVICES FOR GLASS

[www.aero-lift.de/en](http://www.aero-lift.de/en)



**Material/lifting goods**



Glass

## AERO-WINDOW: ADVANTAGES



- **Can handle smooth transport goods**, such as glass and windows
- **Excellent suction properties and increased friction coefficient in the vertical position** thanks to the special AERO-LIFT glass suction plates with a low intrinsic volume and a special structure
- **Centre of gravity compensation for different transport good weights** due to the 3-hole suspension eye
- **All of the suction plates can be switched on and off in a matter of seconds** via manual slide valves and/or quick-change couplings
- **Quick and tool-free conversion guaranteed** thanks to plug-in connections that enable configuration with fewer or more suction plates. In addition, two of the four crossbars can be removed and adapted to different load sizes.
- **Maximum compactness and optimised unladen weight of the device** because the vacuum accumulator is integrated in the frame
- **Rotation of the workpiece in the vertical direction by +/- 90° and fixing every 90°** by means of a Bowden cable
- **No downtime** because of the integrated motor protection switch, which protects the vacuum generator from winding damage.
- **Quick and easy maintenance:** The intelligent suction plate concept enables worn suction seals to be replaced in seconds with no tools.



&lt; 500 kg

Vertical  
pick

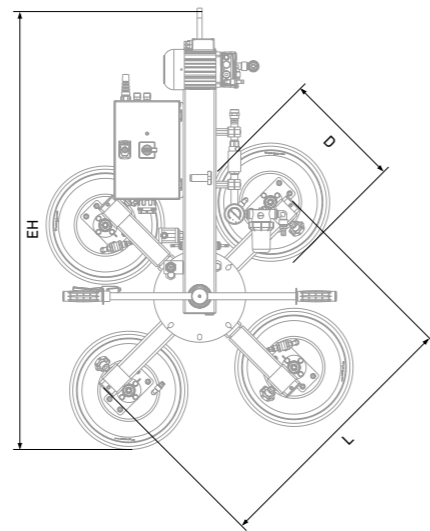
Rotating




Glass



## Dimension drawing



## Optional configuration / Accessories

	Designation	Item code suffix	Description
	Chain hoist connection	-CH	As an option, the vacuum lifting device can be configured with a spiral cable and a Harting connector. This enables the vacuum lifter to be powered directly at the chain hoist and prevents cables from getting in the way in the working area.

## Product data

Load capacity	No. of suction pl.	Number of cross beams	Suction plate dia.	Cross beam leng. (max.)	Mounting eye dia.	Mounting height	Item code
			D	L		EH	
[kg]	[pieces]	[pieces]	[mm]	[mm]	[mm]	[mm]	
300	4	4	270	800	85	1,280	AE-WINDOW 300/4G
500	4	4	360	800	85	1,280	AE-WINDOW 500/4G

## AERO-VARIOWIN: ADVANTAGES



- **The problem solver for glass in prefabricated house construction**
- **Excellent suction properties and increased friction coefficient in the vertical position** thanks to the special AERO-LIFT glass suction plates with a low intrinsic volume and a special structure
- **Can handle workpieces with a web offset of up to max. 13 cm** due to the depth-adjustable suction plates
- **Can avoid interfering contours, such as soffits or frames**, thanks to the height-adjustable suspension points
- **Easy transport of tall workpieces in an upright position** because of the extra-long suspension frame
- **Balanced load distribution** thanks to the adjustable centre of gravity compensation on the suspension frame
- **Safe storage option for vacuum lifters and attachments** due to the transport rack included in the scope of delivery
- **Possibility of handling smaller formats** thanks to the additional shorter crane suspension
- **Highest safety standards** thanks to the integrated tandem vacuum reservoir mounted on both sides of the frame and the additional acoustic and visual warning signals
- **Rotation of the workpiece in the vertical direction by +/-90° and fixing every 15°** by means of a Bowden cable
- **Quick and tool-free conversion guaranteed** because of plug-in connections that enable configuration with fewer or more suction plates.
- **Includes frame for safe transport**
- **No downtime** thanks to the integrated motor protection switch, which protects the vacuum generator from winding damage.
- **Quick and easy maintenance:** The intelligent suction plate concept enables worn suction seals to be replaced in seconds with no tools.



&lt; 500 kg

Vertical  
pick

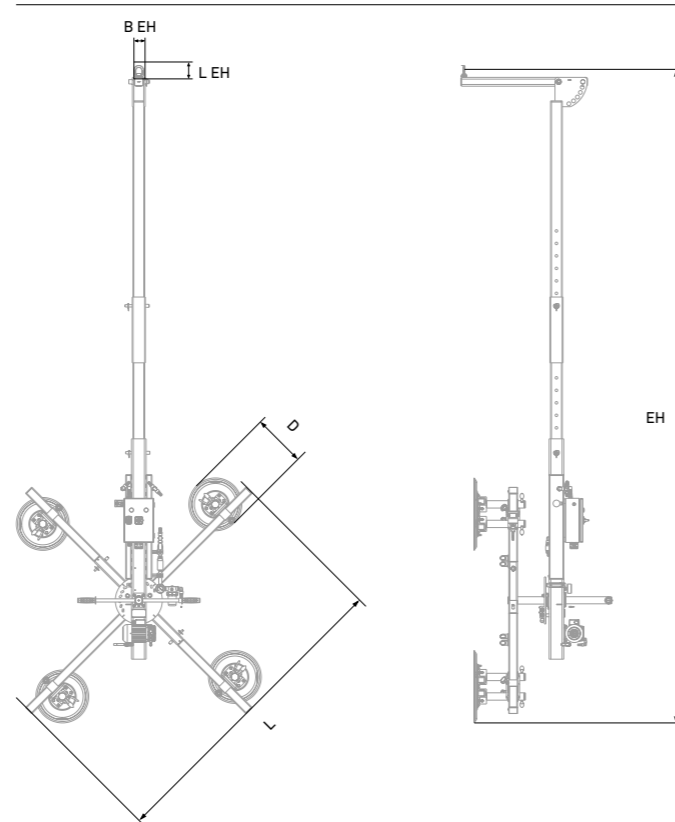
Rotating



Glass




## Dimension drawing



## Product data

Load capacity	No. of suction pl.	Number of cross beams	Suction plate dia.	Cross beam leng. (max.)	Mounting eye width	Mounting eye length	Mounting height	Item code
			D	L	B EH	L EH	EH	
[kg]	[pieces]	[pieces]	[mm]	[mm]	[mm]	[mm]	[mm]	
250	4	2	270	1,625	25	36	3,280	AE-VARIOWIN 250/4G
500	4	2	360	2,110	25	36	4,580	AE-VARIOWIN 500/4G

## Optional configuration / Accessories

Designation	Item code suffix	Description
 Chain hoist connection	-CH	As an option, the vacuum lifting device can be configured with a spiral cable and a Harting connector. This enables the vacuum lifter to be powered directly at the chain hoist and prevents cables from getting in the way in the working area.

CONTACT

# AERO-LIFT VAKUUMTECHNIK GMBH

Do you have further questions about our product portfolio or would you like to receive a specific quotation?

Regardless of the issue or industry, we have experts on our team for every problem who can show you the options for your specific challenge. We will be happy to work with you to analyse your entire value stream and determine the right handling solution for your company.

We can respond to inquiries from outside Germany thanks to our international partner network and we look forward to receiving your inquiry.



**Please contact us:**  
sales@aero-lift.de or  
+49 (0) 7428 94514 11

Do you need support for maintenance, service or repairs?

Regardless of whether you want to have your device serviced or simply need quick and pragmatic help, our expert service staff will assist you quickly at any time with their technical understanding.



**Please contact us:**  
service@aero-lift.de or  
+49 (0) 7428 94514 56





moving limits

**AERO-LIFT Vakuumtechnik GmbH**

Turmstraße 1

72351 Geislingen-Binsdorf

Germany

Phone: +49 (0) 7428 94514 0

[info@aero-lift.de](mailto:info@aero-lift.de)

[www.aero-lift.de/en](http://www.aero-lift.de/en)