

AERO LIFT BASIC-LIFT



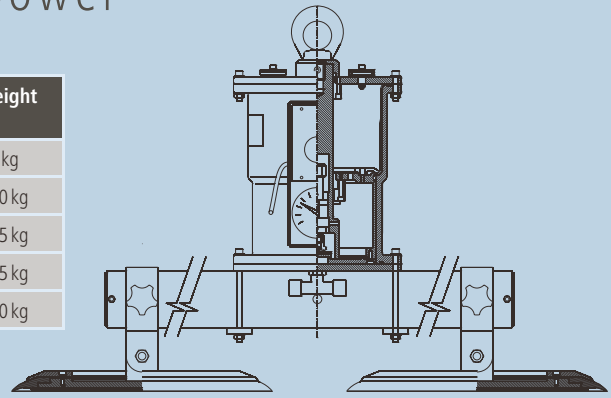
vacuum suction lifters – entirely without electrical power

flexible · robust · mains independent



BASIC-LIFT: Powerful even without power

Designation	maximum lift force	minimum load	suction plates \varnothing	main beam (length)	cross beam (width)	weight
BL 400 / 1L	400 kg	2 kg	1 / 410 mm	---	---	55 kg
BL 400 / 4L	400 kg	3 kg	4 / 280 mm	2200 mm	1000 mm	100 kg
BL 600 / 4L	600 kg	3 kg	4 / 350 mm	2200 mm	1000 mm	115 kg
BL 900 / 6L	900 kg	3 kg	6 / 280 mm	2200 mm	1000 mm	135 kg
BL 1200 / 6L	1200 kg	5 kg	6 / 350 mm	2200 mm	1000 mm	220 kg



robust, safe, flexible

The BASIC-LIFT is an all-rounder complementing the tried and tested AERO-LIFT® range of vacuum lifters. Without battery or inconvenient power cables and thus purely mechanical, it is absolutely independent. But yet this type can lift loads of 1,200 kg and above. The tried and

tested modular AERO-LIFT® system can be flexibly adapted to the job to be done and also used for very low loads. To ensure a long service life, all suction plates and sealing lips are made of high-duty perbunan. Its safety is additionally guaranteed by a vacuum gauge and a

battery-operated warning device (the only electrical components of the lifter) and meets the requirements of the EU norm EN 13155. Handling is extremely easy. Every time the lifter is put down it automatically switches from „Suction“ to „Release“ and vice versa. So, no valve needs to be actu-

ated additionally. The BASIC-LIFT is suitable for a variety of applications where reliability, robustness and easy operation are of essence.



AERO-LIFT international



To find your local contact whether in Germany and elsewhere, visit us at www.aero-lift.de



AERO-LIFT Vakuumentchnik GmbH
 Binsdorf, Turmstraße 1, D-72351 Geislingen
 Tel (+49) 7428-2448 | Fax (+49) 7428-2654 | info@aero-lift.de | www.aero-lift.de