

AERO-LIFT VACUUM COMPONENTS FOR THE SHEET METAL INDUSTRY



laser cutting systems



destacking



cut sections



sheet metal

**components for all
standard handling systems**

suction plates + suction cups vacuum technology

sorting

loading of raw materials

blank sheet metal

sheet metal handling

removal of finished parts

stamping machines

unloading

finished sheet metal parts

automated loading and unloading



Many other suction plates
(incl. data sheets) can be found in our
Component Catalog as of page 201.



AERO-LIFT SUCTION PLATES round

for all standard solutions in sheet metal handling

Suction plate
AL 110 R-1
Ø 110 mm

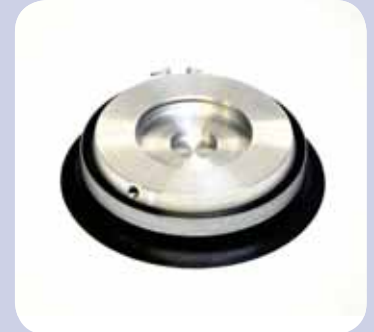
Suction plate AL 110 R-1
Order No.: 3025170
Seal
Order No.: 2031026
Tension band
Order No.: 2031034



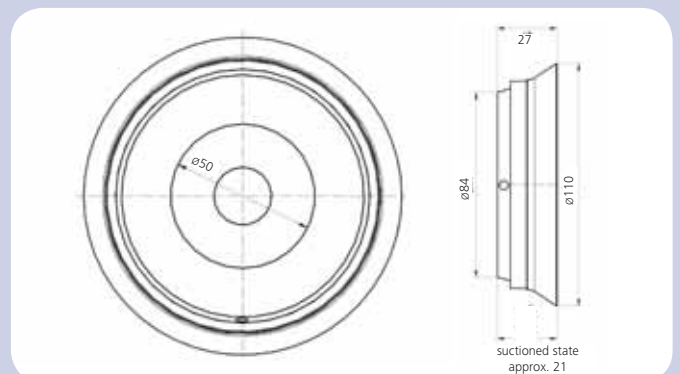
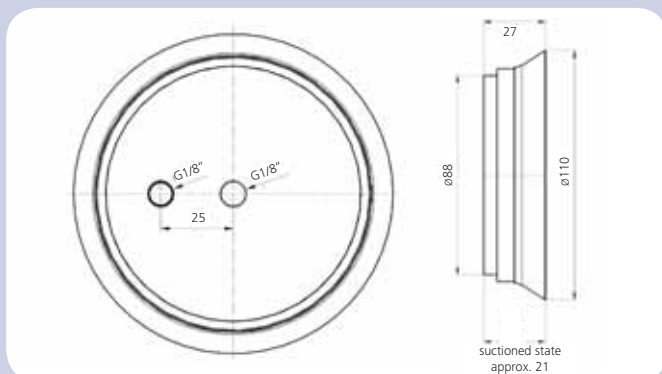
Material:
NBR black
Carrying capacity (at 60% double security):
28kg
Temperature stability:
-40°C bis + 120°C

Suction plate
AL 110 R-2
Ø 110 mm

Suction plate AL 110 R-2
Order No.: 3025168
Seal
Order No.: 2031026
Tension band
Order No.: 2031034



Material:
NBR black
Carrying capacity (at 60% double security):
28kg
Temperature stability:
-40°C bis + 120°C





These suction plates with fluted rubber pad are especially suited for thin and smooth workpieces like sheet metal, glass, laminated wood or plexiglas. The fluted rubber pad prevents the workpiece from deforming. In addition to that, the seal is easy and cost-effective to replace just by releasing the tension band.

Suction plate

AL 110 R-3

Ø 110 mm

Suction plate AL 110 R-3

Order No.: 3025169

Seal

Order No.: 2031026

Tension band

Order No.: 2031034



Material:

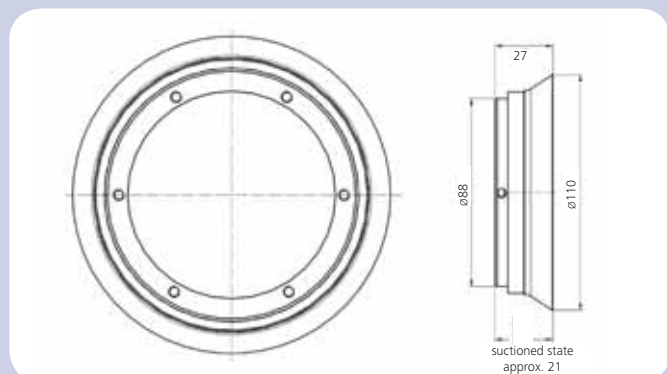
NBR black

Carrying capacity (at 60% double security):

28kg

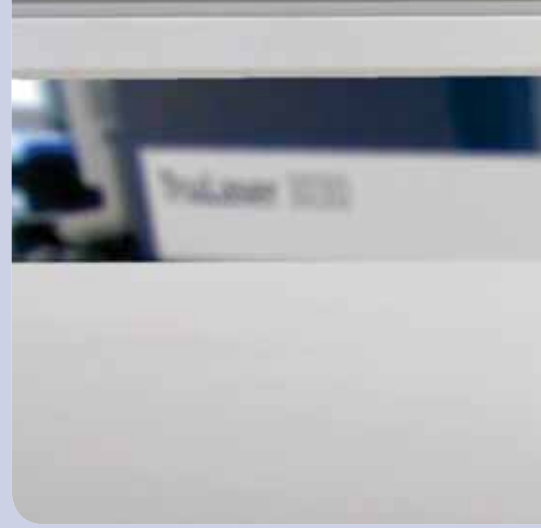
Temperature stability:

-40°C bis + 120°C



The advantages of AERO-LIFT® suction plates:

- ✓ Compatible with all standard handling systems in sheet metal processing
- ✓ Save time and costs with our simple modular system: only expendable part is the seal



AERO-LIFT

SUCTION PLATES round

for all standard solutions in sheet metal handling

Suction plate
AL 120R G1/4" G1/2"
 Ø 120 mm

Suction plate AL 120R G1/4" G1/2"
 Order No.: 3025170
 Seal
 Order No.: 2031026
 Tension band
 Order No.: 2031034

Material:
 NBR black
 Carrying capacity (at 60% double security):
 33 kg
 Temperature stability:
 -40°C bis + 120°C



A built-in orifice provides for an air regulator effect during suctioning to ensure that the vacuum is maintained even in case of ingress of external air. On the other hand, the air is released in an unrestricted manner to increase the cycle time.

suctioned state
 approx. 20mm

1/4" 1/8"

approx. 25

Ø 120

Reducer piece G1/2" - G1/8"
 Order No. 2080106

10

Valve (clued)
 Order No. 2014002

Base plate AL110R
 Order No. 2031711

Tension band
 Order No. 2031034

Seal AL 120R sw
 Order No. 2031218



These suction plates with fluted rubber pad are especially suited for thin and smooth sheet metal. The fluted rubber pad prevents the workpiece from deforming. In addition to that, the seal is easy and cost-effective to replace by releasing the tension band.

Suction plate
AL 210 starr 1/2"-mittig
 Ø 210 mm

Suction plate
 Order No.: 3025173
 Seal
 Order No.: 2031214
 Tension band
 Order No.: 2031019



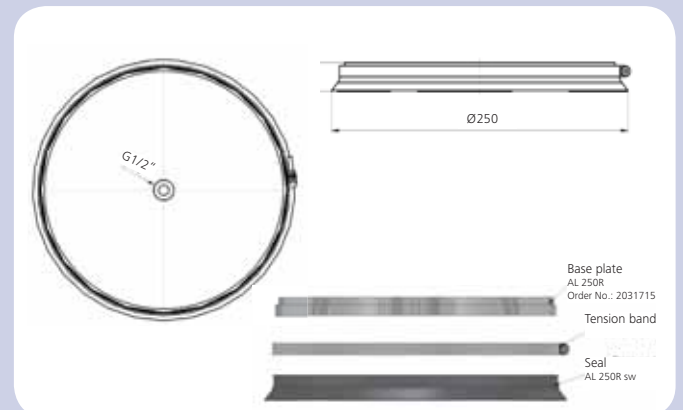
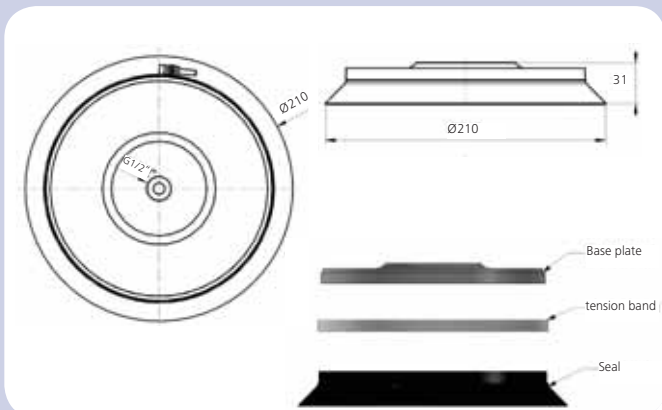
Material:
NBR black
 Carrying capacity (at 60% double security):
 100 kg
 Temperature stability:
 -40°C bis + 120°C

Suction plate
AL 250R starr 1/2"-mittig
 Ø250 mm

Suction plate AL 250 starr 1/2"-mittig
 Order No.: 3025172
 Seal
 Order No.: 2031003
 Tension band
 Order No.: 2031023



Material:
NBR black
 Carrying capacity (at 60% double security):
 147 kg
 Temperature stability:
 -40°C bis + 120°C



Many other suction cups
(incl. data sheets) can be found in our
Component Catalog as of page 101.



AERO-LIFT VACUUM SUCTION UNITS

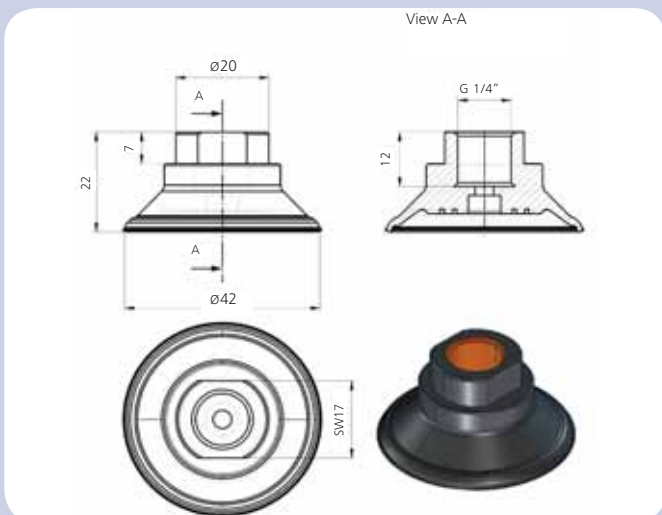
for all standard solutions in sheet metal handling

Vacuum suction unit
AL 42 A2225, NBR 60°
Ø 42 mm

Material: NBR 60° orange
Order No.: 2030261

Vacuum suction unit
AL 45 A NO°
Ø 45 mm

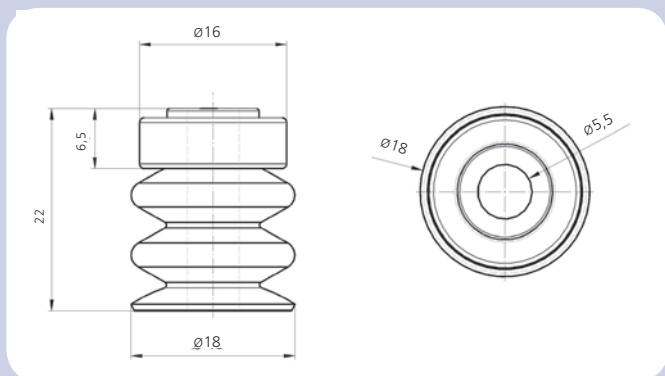
Material: NBR black
Order No.: 2030031





Bellow suction cup
AL 16 A2208 - 2,5 bellows
Ø 18 mm

Material: NBR black
Order No.: 2030031



**other suction cups for
handling sheet metal:**





AERO-LIFT

we are here to assist you,
even locally!

AERO-LIFT international



To locate a representation or a contact person for your area - in Germany as well as in many countries around the globe, visit www.aero-lift.de

AERO-LIFT Vakuumtechnik GmbH
Binsdorf, Turmstraße 1
72351 Geislingen
Tel (+49) 7428-94 514 - 0
Fax (+49) 7428-94 514 - 38
info@aero-lift.de
www.aero-lift.de

