

# CLAD-MAN®

The solution for laying long and heavy facade elements in roof and wall areas.



## Overview CLAD-MAN®

- Load capacity up to 800 kg and 26 meters length
- Suitable for sandwich elements, trapezoidal sheets and facade panels
- It can be swivelled up to 45° with the cross beam, so that installation is also possible on pitched roofs
- 90° turnable main traverse
- Extremely robust construction



## The master in handling heavy panels

The **CLAD-MAN®** ensures safety and saves time when laying panels and trapezoidal sheets. The modular design enables a flexible handling of different panel lengths.

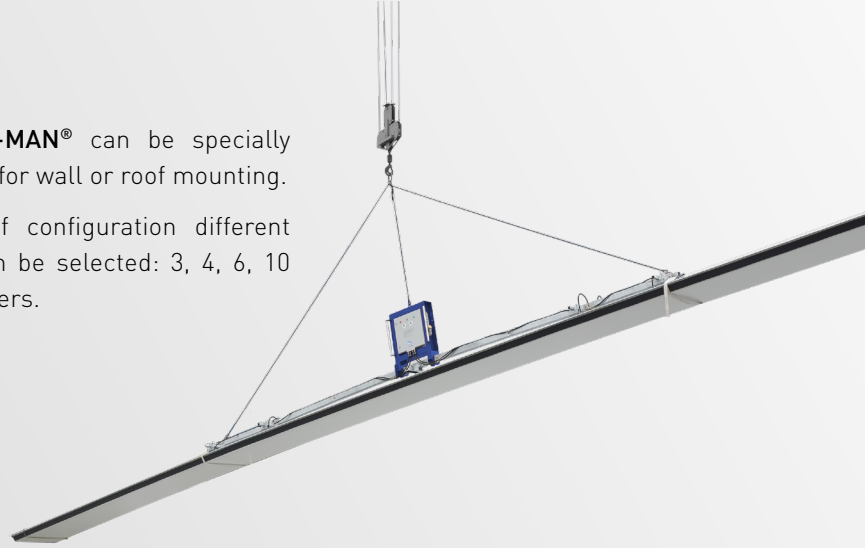
The construction site helper is also extremely robust: housing, suction plates and battery have been developed for long outdoor use.

With its integrated two-circuit vacuum system, intelligent warning device and additional mechanical belts, the **CLAD-MAN®** reliably ensures safety and efficiency on your construction site.



The **CLAD-MAN®** can be specially configured for wall or roof mounting.

In the roof configuration different lengths can be selected: 3, 4, 6, 10 and 16 meters.



More information, videos and application reports at [www.clad-man.de](http://www.clad-man.de).



| Type                          | Item number | Load capacity (kg) horizontal | Load capacity (kg) vertical | max. Panel length (mm) | Main beam (mm) | Cross beam (mm) | Suction plates number and Ø (mm) |
|-------------------------------|-------------|-------------------------------|-----------------------------|------------------------|----------------|-----------------|----------------------------------|
| <b>ROOF</b>                   |             |                               |                             |                        |                |                 |                                  |
| CLAD-MAN Roof 3m 12L          | 1010302     | 800                           | -                           | 13                     | 3000           | 1000            | 12 x AL140x650L                  |
| CLAD-MAN Roof 4m 8L           | 1010303     | 600                           | -                           | 14                     | 4000           | 1000            | 8 x AL140x650L                   |
| CLAD-MAN Roof 6m 8L           | 1010304     | 400                           | -                           | 16                     | 6000           | 1000            | 8 x AL140x650L                   |
| CLAD-MAN Roof 10m 8L          | 1010305     | 400                           | -                           | 20                     | 10000          | 1000            | 8 x AL140x650L                   |
| CLAD-MAN Roof 16m 8L          | 1010306     | 400                           | -                           | 26                     | 16000          | 1000            | 8 x AL140x650L                   |
| <b>ROOF 45°</b>               |             |                               |                             |                        |                |                 |                                  |
| CLAD-MAN Roof 45° 3m 12L      | 1010307     | 800                           | -                           | 13                     | 3000           | 1000            | 12 x AL140x650L                  |
| CLAD-MAN Roof 45° 4m 12L      | 1010308     | 600                           | -                           | 14                     | 4000           | 1000            | 12 x AL140x650L                  |
| CLAD-MAN Roof 45° 6m 8L       | 1010309     | 400                           | -                           | 16                     | 6000           | 1000            | 8 x AL140x650L                   |
| <b>WALL</b>                   |             |                               |                             |                        |                |                 |                                  |
| CLAD-MAN Wall 1m 8L vertical  | 1010310     | -                             | 400                         | 12                     | 1000           | -               | 8 x AL140x650L                   |
| CLAD-MAN Wall 3m 16L vertical | 1010311     | -                             | 800                         | 13                     | 3000           | 1000            | 16 x AL140x650L                  |
| CLAD-MAN Wall 4m 12L vertical | 1010313     | -                             | 600                         | 14                     | 4000           | 1000            | 12 x AL140x650L                  |
| CLAD-MAN Wall 3m 16L horiz.   | 1010312     | 800                           | -                           | 13                     | 3000           | 1000            | 16 x AL140x650L                  |
| CLAD-MAN Wall 4m 12L horiz.   | 1010314     | 600                           | -                           | 14                     | 4000           | 1000            | 12 x AL140x650L                  |

Data, information (in particular also information on load-bearing capacity), illustrations, descriptions and dimensions are non-binding and serve only as illustrations. They have been checked with the utmost care. However, we do not accept any liability for incorrect or incomplete information, errors or misprints. We reserve the right to make changes. Production and material-related dimensional deviations are reserved. Status: November 2020 No. 2082882 / 02.

## AERO-LIFT Vakuumtechnik GmbH

Turmstr. 1  
D-72351 Geislingen-Binsdorf

Fon: +49 (0) 74 28 / 94 514 - 0  
Fax: +49 (0) 74 28 / 94 514 - 38

info@aero-lift.de  
www.aero-lift.de/en

**LIFTING  
FIXING MOVING**  
VACUUM LIFTING TECHNOLOGY