

CLAD-MAN®

The solution for laying long and heavy facade elements in roof and wall areas.



Overview CLAD-MAN®

- Load capacity up to 800 kg and 26 meters length
- Suitable for sandwich elements, trapezoidal sheets and facade panels
- It can be swivelled up to 45° with the cross beam, so that installation is also possible on pitched roofs
- 90° turnable main traverse
- Extremely robust construction



The master in handling heavy panels

The **CLAD-MAN®** ensures safety and saves time when laying panels and trapezoidal sheets. The modular design enables a flexible handling of different panel lengths.

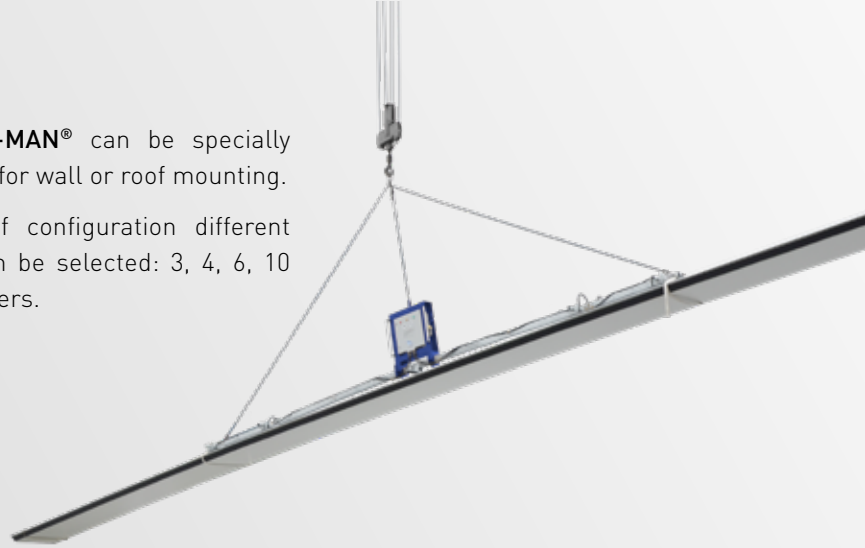
The construction site helper is also extremely robust: housing, suction plates and battery have been developed for long outdoor use.

With its integrated two-circuit vacuum system, intelligent warning device and additional mechanical belts, the **CLAD-MAN®** reliably ensures safety and efficiency on your construction site.



The **CLAD-MAN®** can be specially configured for wall or roof mounting.

In the roof configuration different lengths can be selected: 3, 4, 6, 10 and 16 meters.



More information, videos and application reports at www.clad-man.de.



Type	Item number	Load capacity (kg) horizontal	Load capacity (kg) vertical	max. Panel length (mm)	Main beam (mm)	Cross beam (mm)	Suction plates number and Ø (mm)
ROOF							
CLAD-MAN Roof 3m 12L	1010302	800	-	13	3000	1000	12 x AL140x560L
CLAD-MAN Roof 4m 8L	1010303	600	-	14	4000	1000	8 x AL140x560L
CLAD-MAN Roof 6m 8L	1010304	400	-	16	6000	1000	8 x AL140x560L
CLAD-MAN Roof 10m 8L	1010305	400	-	20	10000	1000	8 x AL140x560L
CLAD-MAN Roof 16m 8L	1010306	400	-	26	16000	1000	8 x AL140x560L
ROOF 45°							
CLAD-MAN Roof 45° 3m 12L	1010307	800	-	13	3000	1000	12 x AL140x560L
CLAD-MAN Roof 45° 4m 12L	1010308	600	-	14	4000	1000	12 x AL140x560L
CLAD-MAN Roof 45° 6m 8L	1010309	400	-	16	6000	1000	8 x AL140x560L
WALL							
CLAD-MAN Wall 1m 8L vertical	1010310	-	400	12	1000	-	8 x AL140x560L
CLAD-MAN Wall 3m 16L vertical	1010311	-	800	13	3000	1000	16 x AL140x560L
CLAD-MAN Wall 4m 12L vertical	1010313	-	600	14	4000	1000	12 x AL140x560L
CLAD-MAN Wall 3m 16L horiz.	1010312	800	-	13	3000	1000	16 x AL140x560L
CLAD-MAN Wall 4m 12L horiz.	1010314	600	-	14	4000	1000	12 x AL140x560L

Data, information (in particular also information on load-bearing capacity), illustrations, descriptions and dimensions are non-binding and serve only as illustrations. They have been checked with the utmost care. However, we do not accept any liability for incorrect or incomplete information, errors or misprints. We reserve the right to make changes. Production and material-related dimensional deviations are reserved. Status: November 2020 No. 2082882 / 02.

AERO-LIFT Vakuumtechnik GmbH

Turmstr. 1
D-72351 Geislingen-Binsdorf

Fon: +49 (0) 74 28 / 94 514 - 0
Fax: +49 (0) 74 28 / 94 514 - 38

info@aero-lift.de
www.aero-lift.de/en

**LIFTING
FIXING MOVING**
VACUUM LIFTING TECHNOLOGY