

AERO ADVANCE

... the smart vacuum lifter for sheets and plate materials up to 1,200 kg.



AERO ADVANCE series

- Load capacity up to 1.200 kg
- Aluminium finish housing
- Two low-noise pumps integrated into the housing
- Safety spiral hoses - no twisting
- Power-saving function
- Warning device with audible and visual signalling (via horn and red/green LED)

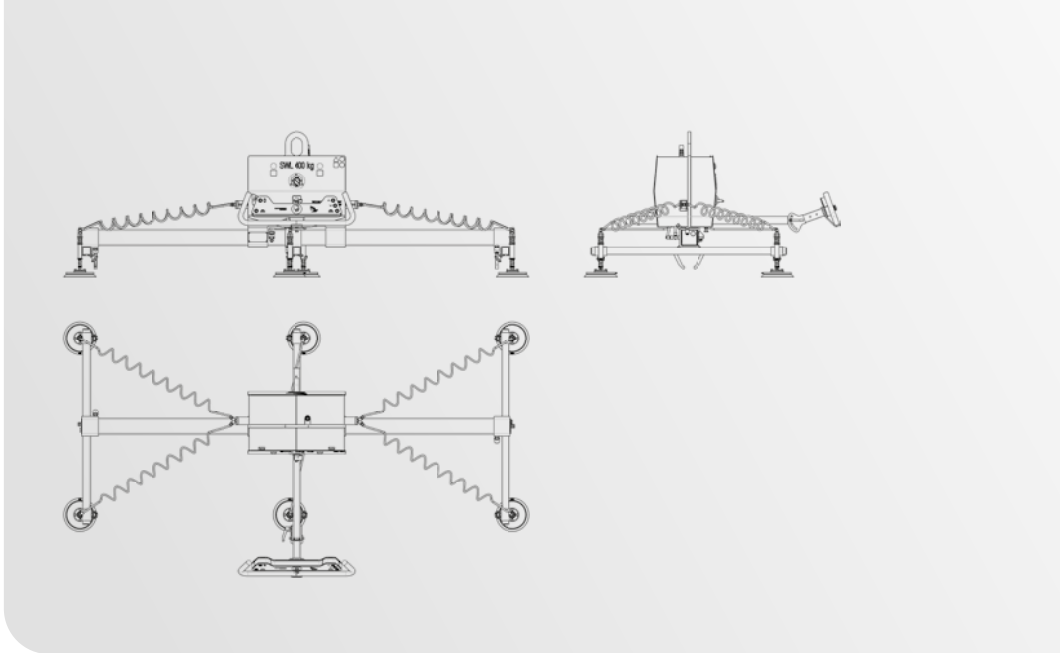


The smart vacuum lifter for an efficient production

We present a new generation of vacuum lifting devices:

In a completely new look and with innovative features e.g. the intelligent warning device, built-in automatic power saving and the new safety spiral hoses (which prevent the cables from being twisted when turning or adjusting the device). The installed hot-dip galvanised, solid steel crossbars are particularly durable and provide lasting protection against corrosion. The innovative series of lifters can lift up to 1,200 kg, depending on the version.

- Durable, hot-dip galvanised, adjustable steel crossbars
- Suction plates in double spring suspension
- Easy to change sealings



More information, videos and application reports at www.aero-lift.de/advance.



Useful additional options

Optional accessories, suitable spare parts, crane/rail systems are available for all vacuum lifting devices. Upon request, AERO-LIFT can perform the annual accident prevention test as prescribed by German law - and act as the testing body for lifting equipment. This ensures that AERO-LIFT vacuum lifting devices are always serviced, safe and ready for use.



NEW - Spiral power supply cable (Ø 140 mm, black, spiral surrounding load chain hoist) - the power cable does not twist when rotating



NEW - Ergonomic multifunction control handle

Data, information (in particular also information on load-bearing capacity), illustrations, descriptions and dimensions are non-binding and serve only as illustrations. They have been checked with the utmost care. However, we do not accept any liability for incorrect or incomplete information, errors or misprints. We reserve the right to make changes. Production and material-related dimensional deviations are reserved. Status: November 2020 No. 2082336 / 01.

AERO-LIFT Vakuumtechnik GmbH

Turmstr. 1
D-72351 Geislingen-Binsdorf

Fon: +49 (0) 74 28 / 94 514 - 0
Fax: +49 (0) 74 28 / 94 514 - 38

info@aero-lift.de
www.aero-lift.de/en

**LIFTING
FIXING MOVING**
VACUUM LIFTING TECHNOLOGY