

Vacuum lifter for **ROOF & WALL ELEMENTS**



CLAD-BOY®

up to 18 meters in length
up to 300 kg in weight
rotatable by up to 90°

CLAD-MAN®

up to 26 meters in length
up to 800 kg in weight
rotatable by up to 90°
roof slope of up to 45°

CLAD-TURN

up to 18 meters in length
up to 400 kg in weight
rotatable by up to 180°



CLAD -

The compact **assistant**



BOY

AERO LIFT CLAD-BOY®
PARTNER to
the **INDUSTRY**

- Safe, material-friendly handling
- Efficiency achieved through maximum installation output with reduced manpower
- Functionally relevant structural components protected or reinforced
- Energy-saving, vacuum-controlled motor circuit
- Vacuum monitoring by means of digital vacuum sensor
- High-quality UV-resistant suction plates with very high service life
- Elasticity even at freezing temperatures





Simple & clever

The battery-operated vacuum lifter for installing roof and wall elements outdoors without requiring a mains connection is the reliable partner for your construction site staff.

The CLAD-BOY® complies with the latest safety standards for vacuum lifters used on construction sites, as outlined in EN13155. AERO-LIFT is synonymous with optimum quality made in Germany!

Especially useful

- Space-saving transport thanks to special Storeboy / Transporter
- Accessories in the equipment box of rugged quality suited for construction sites
- Tool-free adaption options
- Special long-lasting rechargeable battery for up to 100 work cycles
- Built-in charger
- second battery unit available as option for quick replacement
- Optional pendant suspension of suction plates for trapezoidal sheeting



Individual adaption of suction plates to the respective task or job



Convenient loading of Storeboy

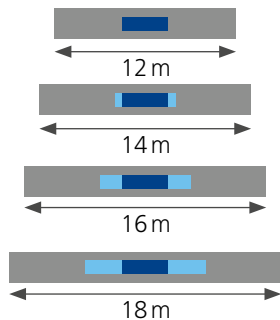
**“Interested in leasing the CLAD-BOY®?
Not a problem!**

Take advantage of the benefits offered by AERO-LIFT's inventory of rental equipment and lease the latest products you need with quality and service guarantee. This ensures you remain flexible and ready for action to suit your order load!

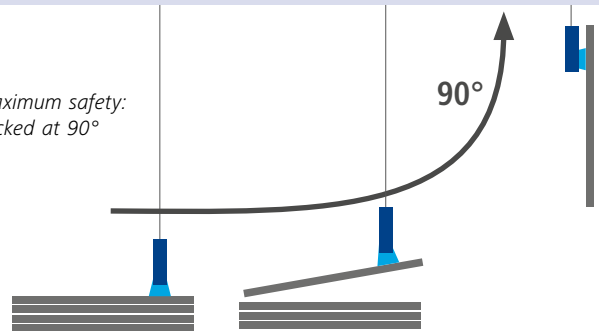
Just give us a call: (+49) 7428-94 514 - 0



Scalable thanks to adaption using extensions



*Maximum safety:
Locked at 90°*



A basis – Modular setup for **Roof & Wall**

Roof installation

It will be the fastest roof install that you have ever done!
With the aid of our vacuum lift, you can install roof elements:

- of up to 18 meters in length and up to 300 kg in weight
- very quickly
- at almost every height

That not only makes your job safer but considerably more efficient as well.

Wall installation

Use CLAD-BOY® also for fastening wall panels:

- Continuously variable rotary unit from 0 to 90° for installing wall elements
- Innovative vacuum technology guarantees holding power and stability - without hooks and eyes
- Lifts wall panels, sandwich elements and trapezoidal sheeting

Facade and wall cladding can be installed with great efficiency - even on large halls and buildings. It goes without saying that high-quality surfaces are able to be handled safely and without any damage at all.

Using the AERO-LIFT vacuum technology means for construction site personnel: Less stress and fatigue, safety and health at work and thus motivation

CLAD -

The mature **power pack**



CLAD-MAN

- Maximizing installation output for panels of up to 26 meters long
- Ideal for heavy roof and wall elements weighing up to 800 kg
- Easy to swivel up to 45° for installation on sloped roofs
- Maximum safety thanks to 2-circuit vacuum system
- Basic unit with many possible variations for every application
- Tried and tested rugged quality suited for construction sites
- Compact dimensions for convenient transport to installation site





Safer, faster, stronger

The all-rounder for extra-big tasks at construction sites! CLAD-MAN lifts panels, trapezoidal sheeting and sandwich elements weighing up to 800 kg and up to 26 m long.

Thanks to the 2-circuit system, the digital vacuum sensor technology and optional strap safety system, CLAD-MAN delivers maximum safety for personnel and materials under harsh on-site conditions. The unique strap system allows for very fast and safe placement of the safety straps.

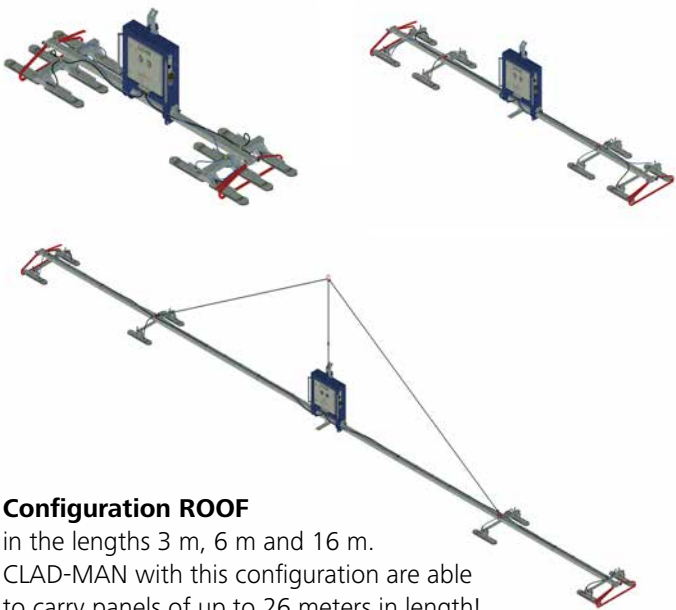
The vacuum-actuated pump control (Ecomatic) makes sure that the batteries are taken good care of. A long workday on site poses a major challenge for personnel and equipment. You can rely on CLAD-MAN's consistent level of performance and intelligent energy management. The modular design with wide variety of option packs offers the right solution for every application. CLAD-MAN is the ideal partner when it is necessary to install especially long wall or roof panels or heavy trapezoidal sheets on sloped roofs with a pitch of up to 45°



"Interested in leasing the CLAD-BOY®?
Not a problem!

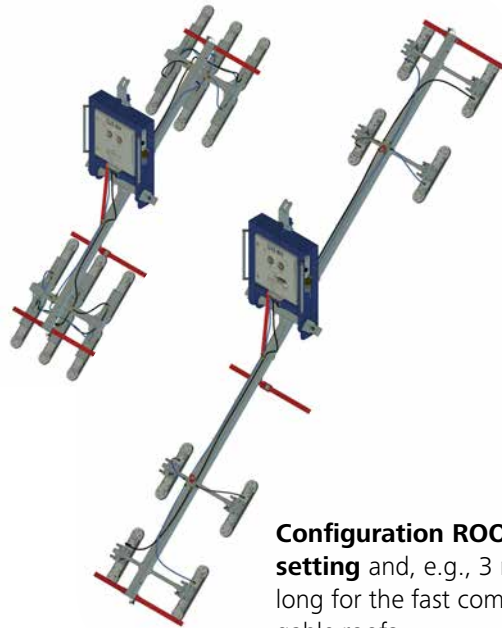
Take advantage of the benefits offered by AERO-LIFT's inventory of rental equipment and lease the latest products you need with quality and service guarantee. This ensures you remain flexible and ready for action to suit your order load!

Just give us a call: (+49) 7428-94 514 - 0

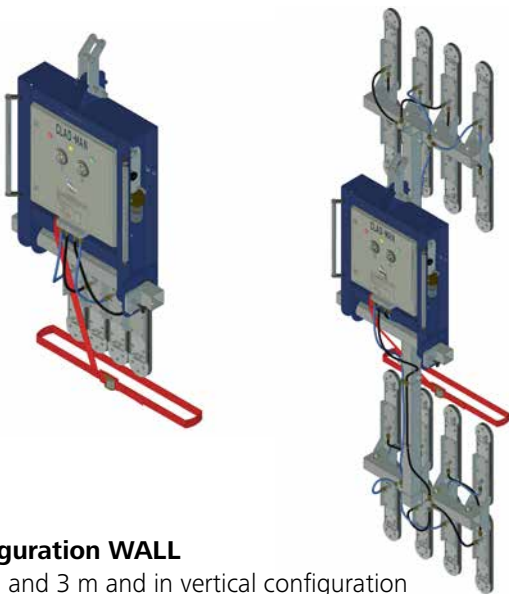


Configuration ROOF

in the lengths 3 m, 6 m and 16 m.
CLAD-MAN with this configuration are able to carry panels of up to 26 meters in length!

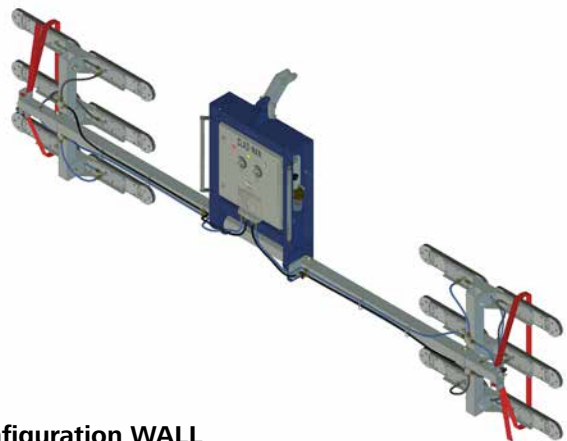


Configuration ROOF with 45° setting and, e.g., 3 m and 6 m long for the fast completion of gable roofs.



Configuration WALL

in 0 m and 3 m and in vertical configuration for fast installation of wall panels.

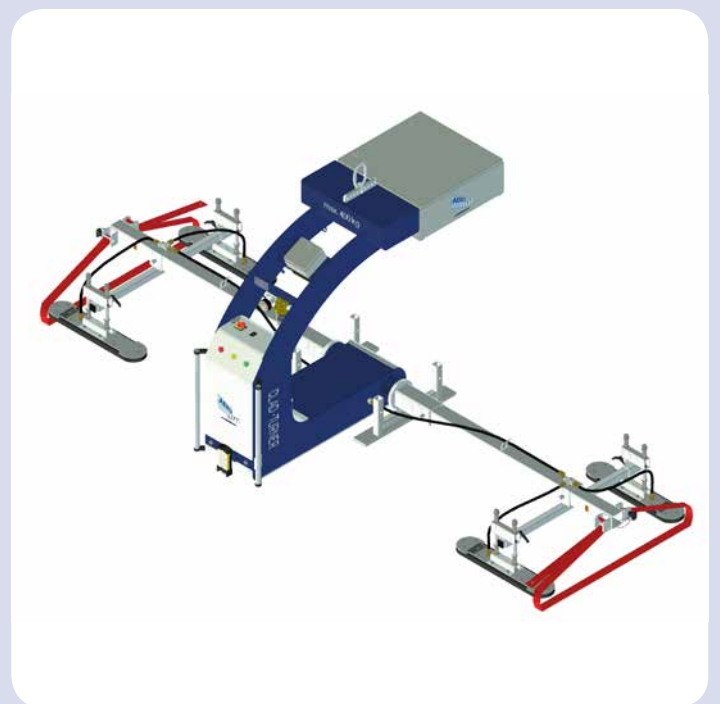
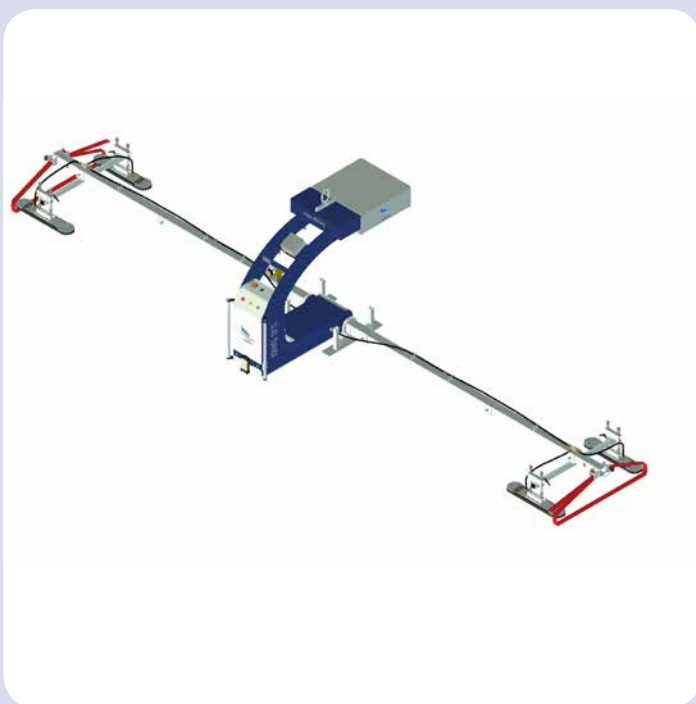
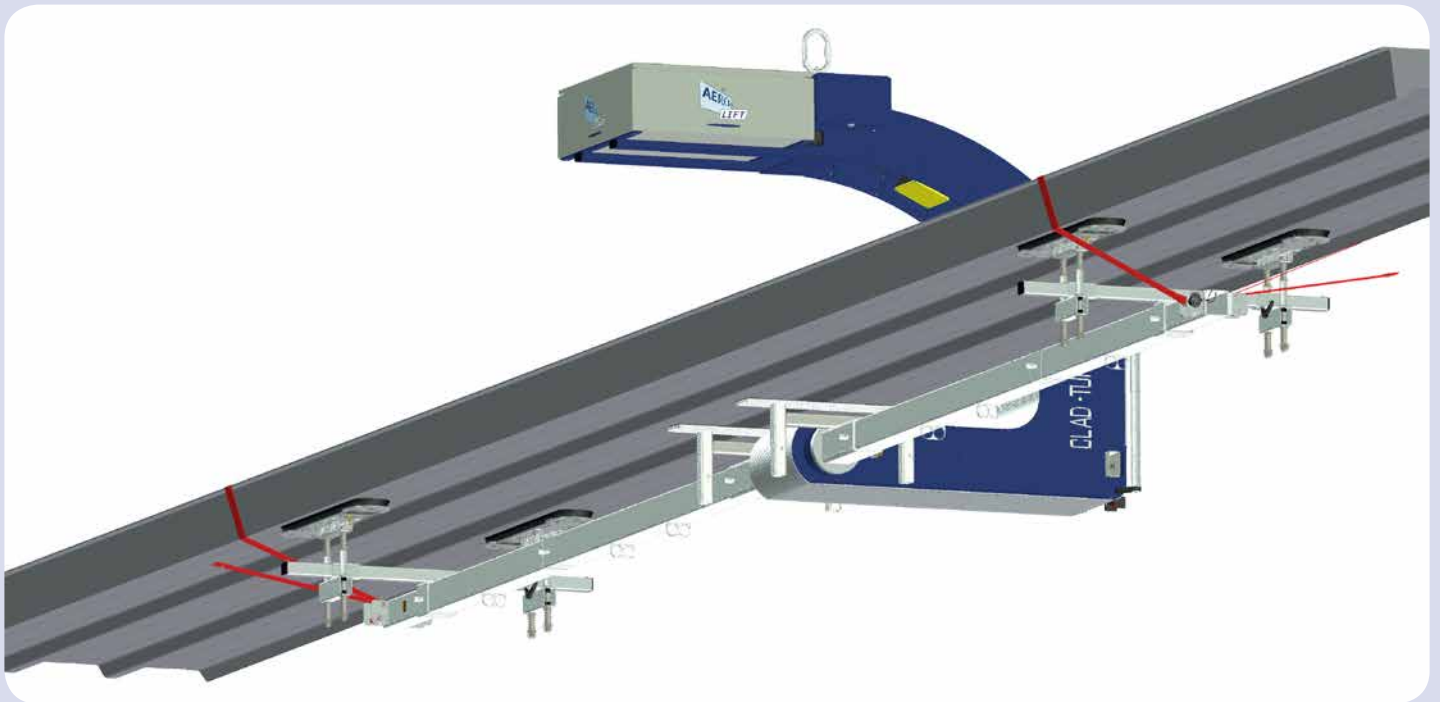


Configuration WALL

in horizontal setup

CLAD -

Turning of roof and wall elements



T U R N

NEW

- Installing sandwich panels or trapezoidal sheets of up to 18 m long
- Continuously variable turning of up to 180° of panels and sheet metal weighing up to 400 kg
- Efficient and quick thanks to electrically powered turning with wireless remote control
- Moving sandwich elements directly from stack to the desired position
- Turning trapezoidal sheeting to positive or negative positions without any manual effort
- Rugged design suited for construction sites and compact dimensions for convenient transport

Turning long elements

CLAD-TURN allows for installing sandwich panels and trapezoidal sheets of up to 18 m in length on roofs or walls. In addition to that, panels and sheets weighing up to 400 kg can be rotated steplessly by up to 180° using an electric motor. This makes working with CLAD-TURN extremely efficient and quick.

Every sandwich element can be moved directly from the stack to the desired position without any manual effort. Likewise, every trapezoidal sheet can be easily rotated to positive or negative positions.

With the wireless remote control, the CLAD-TURN is convenient to operate. The batteries are charged via the integrated charger, while safety is ensured with strap safeties. The package also includes the transport rack for storing the CLAD-TURN and 2 support stands for the turned components.



AERO-LIFT CLADDING CONFIGURATIONS AND OPTIONS

Max. panel length	Max. weight	Configuration		Product number
Roof panels horizontal (roof slope max. 25°)				
12 m	240 kg	CLAD-BOY	Roof, 3m, 4L	1010261
12 m	300 kg	CLAD-BOY	Roof, 3m, 6L	1010262
13 m	800 kg	CLAD-MAN	Roof, 3m, 12L	1010302
14 m	240 kg	CLAD-BOY	Roof, 4m, 4L	1010263
14 m	300 kg	CLAD-BOY	Roof, 4m, 6L	1010264
14 m	600 kg	CLAD-MAN	Roof, 4m, 8L	1010303
16 m	400 kg	CLAD-MAN	Roof, 6m, 8L	1010304
18 m	240 kg	CLAD-BOY	Roof, 8m, 4L	1010265
18 m	300 kg	CLAD-BOY	Roof, 8m, 6L	1010266
20 m	400 kg	CLAD-MAN	Roof, 10m, 8L	1010305
26 m	400 kg	CLAD-MAN	Roof, 16m, 8L	1010306
Roof panels horizontal (roof slope max. 45°)				
12 m	200 kg	CLAD-BOY	Roof, 3m, 4L, 45°	1010261 / 3010173
12 m	300 kg	CLAD-BOY	Roof, 3m, 6L, 45°	1010262 / 3010173
13 m	800 kg	CLAD-MAN	Roof, 3m, 12L, 45°	1010307
14 m	200 kg	CLAD-BOY	Roof, 4m, 4L, 45°	1010263 / 3010173
14 m	220 kg	CLAD-BOY	Roof, 4m, 6L, 45°	1010264 / 3010173
14 m	600 kg	CLAD-MAN	Roof, 4m, 12 L, 45°	1010308
16 m	400 kg	CLAD-MAN	Roof, 6m, 8L, 45°	1010309
Roof and wall horizontal, panels 180° rotatable				
18 m	400 kg	CLAD-TURN	Roof and wall, 180°	1010321



**Do you have any questions?
Not a problem!**

We would be happy to advise you with regard to all technical matters at +49 (0) 7428 / 94 514 0.

Max. panel length	Max. weight	Configuration		Product number
Wall panels horizontal				
12 m	160 kg	CLAD-BOY	Wall, 3m, 4L Suction plates vertical	1010243
12 m	160 kg	CLAD-BOY	Wall, 3m, 4L, AS Suction plates horizontal	1010247
12 m	240 kg	CLAD-BOY	Wall, 3m, 6L Suction plates vertical	1010244
12 m	240 kg	CLAD-BOY	Wall, 3m, 6L, AS Suction plates horizontal	1010255
13 m	800 kg	CLAD-MAN	Wall, 3m, 16 L	1010312
14 m	160 kg	CLAD-BOY	Wall, 4m, 4L Suction plates vertical	1010245
14 m	160 kg	CLAD-BOY	Wall, 4m, 4L, AS Suction plates horizontal	1010248
14 m	240 kg	CLAD-BOY	Wall, 4m, 6L Suction plates vertical	1010246
14 m	240 kg	CLAD-BOY	Wall, 4m, 6L, AS Suction plates horizontal	1010256
14 m	600 kg	CLAD-MAN	Wall, 4m, 12 L	1010314
Wall panels horizontal				
12 m	160 kg	CLAD-BOY	Wall, 4L	1010241
12 m	240 kg	CLAD-BOY	Wall, 6L	1010242
12 m	400 kg	CLAD-MAN	Wall, 1m, 8L	1010310
13 m	800 kg	CLAD-MAN	Wall, 3m, 16L	1010311
14 m	600 kg	CLAD-MAN	Wall, 4m, 12L	1010313
Options CLAD-BOY				
Store-Boy				1010139
Battery replacement unit				1010249
Equipment box (L x W x H: 550 x 350 x 250 mm)				1010251
Protective cover for suction plates				2032210
Options CLAD-MAN				
Store-Man				1010315
Glass extension (for glass / window elements of up to 800 kg)				1010317

AERO-LIFT CONSTRUCTION SITE EQUIPMENT

High-tech assistance designed for outdoors



CLAD-LIFT

The revolution in window installation!

With the aid of these window robots, you can install windows and glass panels quickly and precisely, for instance, in sun rooms.

The CLAD-LIFT is extremely maneuverable and suited for various terrains thanks to the front drive wheels. The powerful electrohydraulic system has a continuously variable speed regulation of all functions and is extremely suited for heavy duty in industry and on construction sites.

The simple control panel with coiled cable and ergonomic control handle with safety buttons make the CLAD-LIFT an extremely effective mobile vacuum lifter.

The CLAD-LIFT pays for itself in no time as a result of the time and manpower saved and its outstanding maneuverability in spite of heavy loads and good handling characteristics. The CLAD-LIFT is available in three variations with a load-bearing capacity of 350 kg to 600 kg.



CLAD-TEC

Fast window transport - even to great heights!

What would a wooden window frame be without the suitable pane? With the aid of our mains-independent vacuum lifter, you can transport glass panes on construction sites even to great heights. The pivoting and slewing vacuum lifter is a tremendous aid when it comes to installing heavy and unwieldy glass panes. The UV-resistant suction plates ensure a scratch-free transport. The powerful vacuum unit, a 4-circuit system and an acoustic warning system guarantee maximum safety when used on construction sites.

Powerful batteries and a built-in charger allow for a flexible, mains-independent use of the vacuum lifter at the installation site. The lifter can be easily transported as a compact unit thanks to the removable suction plates and extensions and reassembled in practically no time. The CLAD-TEC is available with a load-bearing capacity of 500 and 1000 kg.

AERO-LIFT Vakuumtechnik GmbH

Tested quality made in germany



Lifting equipment & components

For more than 25 years, AERO-LIFT Vakuumtechnik GmbH has been manufacturing lifting equipment designed to transport very large loads with the aid of a vacuum in a manner that is safe for materials and employees. In this regard, we do not only rely on standard products but also offer variations and special solutions that are optimally suited to your task. From miniature electronic components to heavyweight aircraft elements, from rock slabs to flour sacks – lifting equipment from AERO-LIFT can be used to lift, rotate and move almost all types of materials.

Our product range also includes a large number of components such as seals, ejectors and valves that can be used to optimally equip your machinery used, e.g., in factory automation.



Production & service

AERO-LIFT Vakuumtechnik GmbH is a capable, medium-sized company. The people living in the Swabian Alb region, not far from the famous Hohenzollern Castle (photo), are known for their diligence, ingenuity and precision. These virtues are an integral part of our company – and our aim is to live up to this reputation and improve ourselves on a daily basis.

That explains why the products of AERO-LIFT are of the highest standards, made in Germany, with a high level of vertical integration in the region. When selecting materials and suppliers, we attach great importance to optimum quality and a common goal - to impress our customers!

Contact our technical sales personnel, should you have any questions relating to our products and industry solutions.



AERO-LIFT

We are here
to help you!

AERO-LIFT international



To locate a representation or a contact person for your area – in Germany as well as in many countries around the globe, visit www.aero-lift.de.

AERO-LIFT Vakuumtechnik GmbH
Binsdorf, Turmstraße 1
72351 Geislingen
Tel +49 (0) 7428-94514-0
Fax +49 (0) 7428-94514-38
info@aero-lift.de
www.aero-lift.de

